

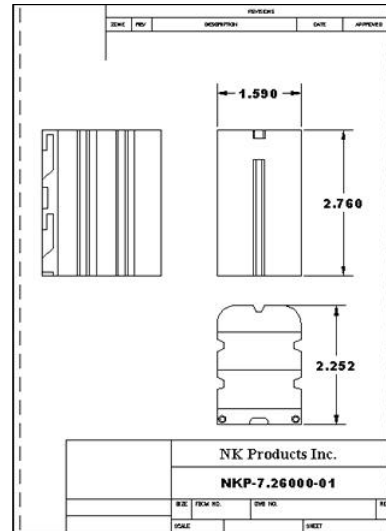
NKP-7.26000-01 7.2 vdc 39 WattHours

Battery Specification

Technical Specifications:

Features:

- **High Energy Density**
- **Long Life Cycle**
- **Environmentally Friendly**
- **Low Self Discharge Rate**
- **Long Shelf Life**
- **Light Weight**



Recommended Discharge Conditions:

Typical Discharge Voltage	10 ~ 6 vdc
End of Discharge Voltage.....	6 vdc
Nominal Operating Voltage	7.2 vdc
Nominal Capacity	5400mah
Minimum Capacity	5000mah
Temperature	25C
Maximum Recommended Discharge Current	2.0 amps

Recommended Charge Conditions:

Recommended Charge Method	CC/CV
CC= .5 C Rate CV = 8.4 vdc	
End of Charge Current < 50ma	
Life Cycles > 500 cycles @ 25 C	

Operating Temperatures:

Charge	0 ~ 35C
Discharge	0 ~ 45C
Storage	0 ~ 45C

Physical Specifications:

Weight	9.8 oz
Height	2.8 inches
Width	1.5 inches
Depth	2.24 inches