

# NKP-CHG2000-01

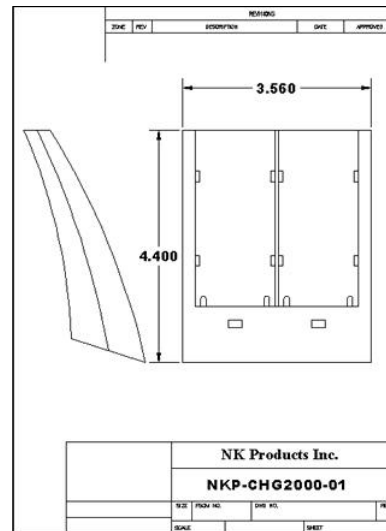
**Twin Charger**

## Battery Charger Specification

### Technical Specifications:

#### Features:

- **Multi Tasking Twin Charger**
- **Charges two batteries by alternating modes**
- **Includes car and AC charge adapters**
- **Recommended for all models of NK Products Batteries**



### Charge Specifications:

Charge Method .....	CC/CV
Constant Current .....	1 amp
Constant Voltage .....	8.4 vdc
End of Charge .....	50 ma

### Power Requirements:

AC Mode .....	120 vac 60 hz
Car Mode .....	12 vdc 1000 ma

### Physical Specifications (not including battery or power supply):

Weight .....	3.9 oz
Height .....	4.4 inches
Width .....	3.6 inches
Depth .....	1.25 inches

NK Products Inc. 5142 Bolsa Ave Ste 104 Huntington Beach Ca 92649  
Tel: 714-899-2148 Fax: 714-899-2149